

Heavyduty Type

Pneumatic Shear Knifeholder

MT-A850

MT-A850 is deal for heavy-duty application since it has new robust knife-holder design ensuring stable down force and side force. Individual control valves provides two stage action, down stroke and side stroke continuous or separate movement. Self-flow control and micro depth adjustment design is the key to prevent damage blade and simplifying the operation due to up to 0.05mm down stroke overlap control. New cant angle adjustment and adaptive bottom knife-holder offer easy operation for different web direction application. Changeable mounting bracket can be compatible with GB guide-bar series or other different exist guide-bar system.

MT-A850 with outstanding flexibility design allows major for paper, plastic film, non-woven fibers and others application.

» Feature

- Min slitting width 55mm
- Self flow control
- Micro depth adjustment
- Individual control valve
- Cant angle adjustment
- Changeable mounting bracket
- Reversible blade cartridge

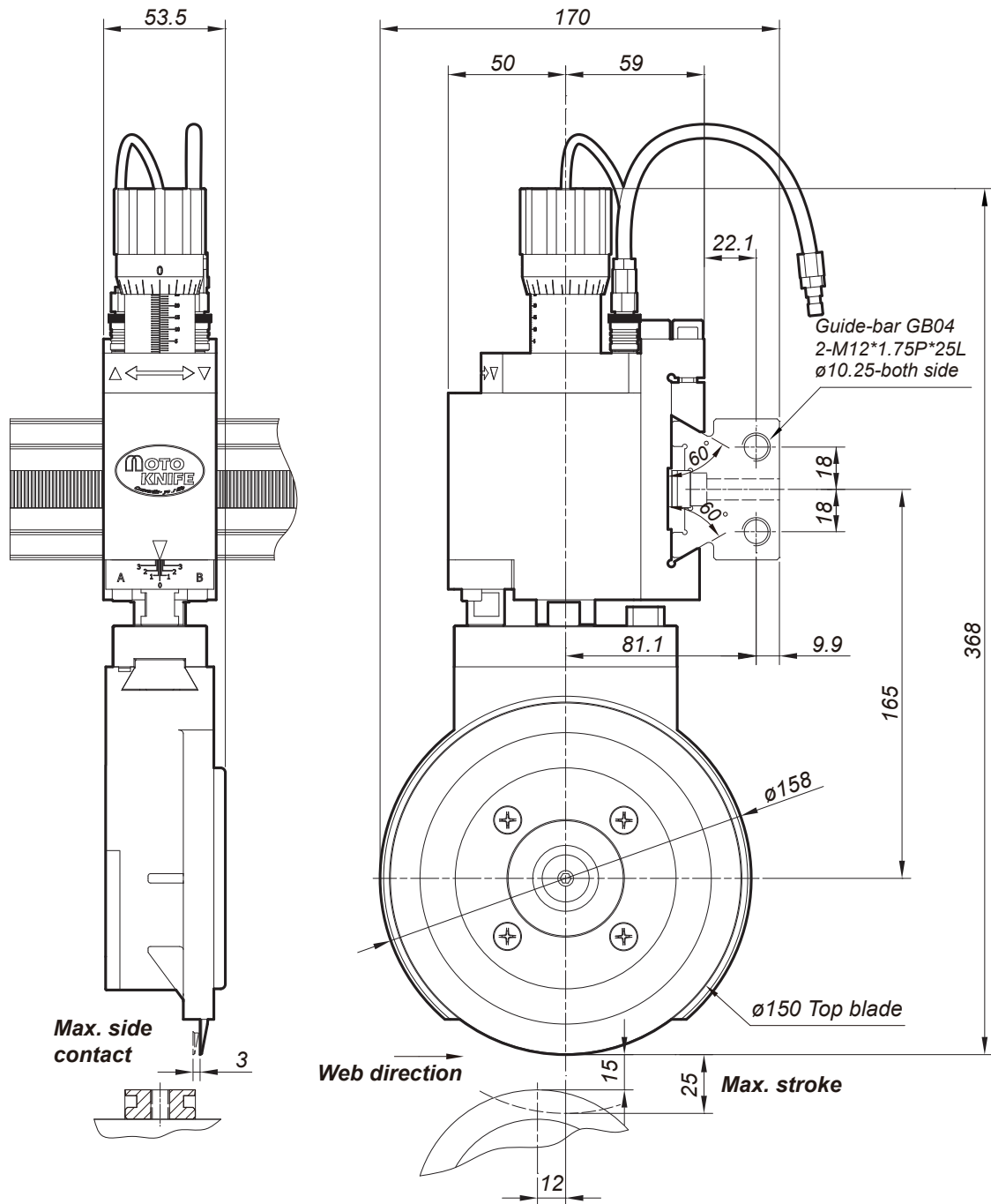
» Specification

- Min. slitting width : 55mm
- Max. slitting speed : 1000M/min ⁽¹⁾
- Down stroke range : 0~25mm
- Side contact range : 0~3mm
- Top blade dia. : \varnothing 150mm
- Guide-bar : GB03/GB04

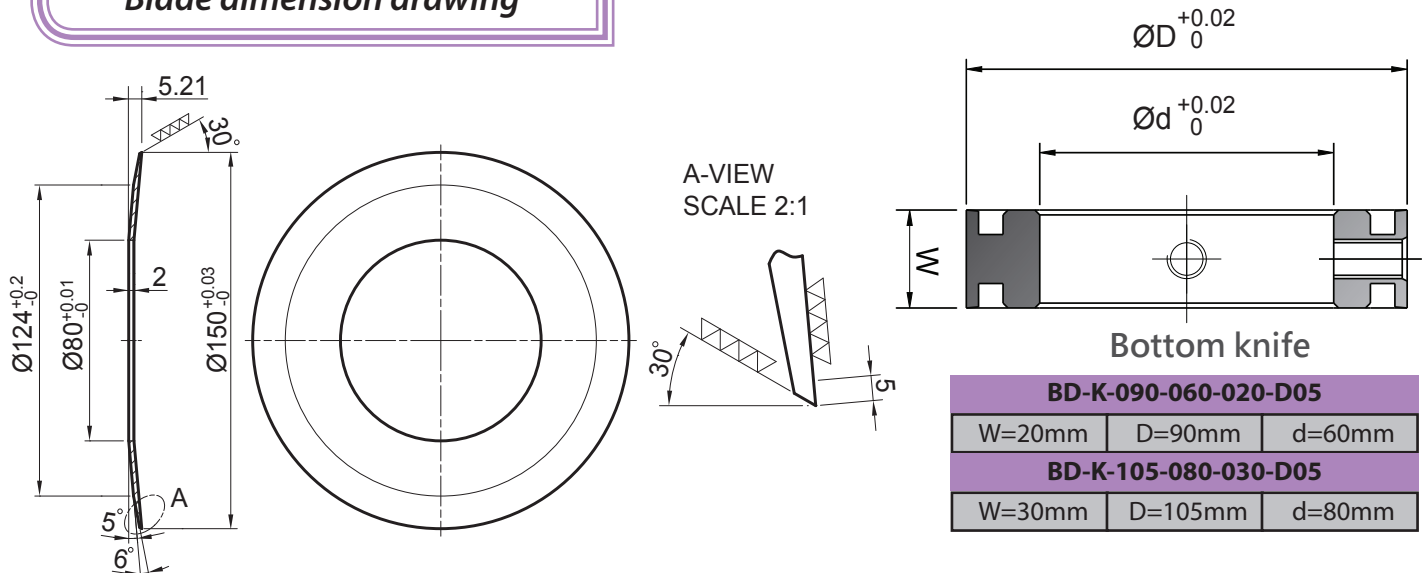
(1) Max slitting speed depends on different material and the condition will be changed.



MT-A850 Dimension drawing



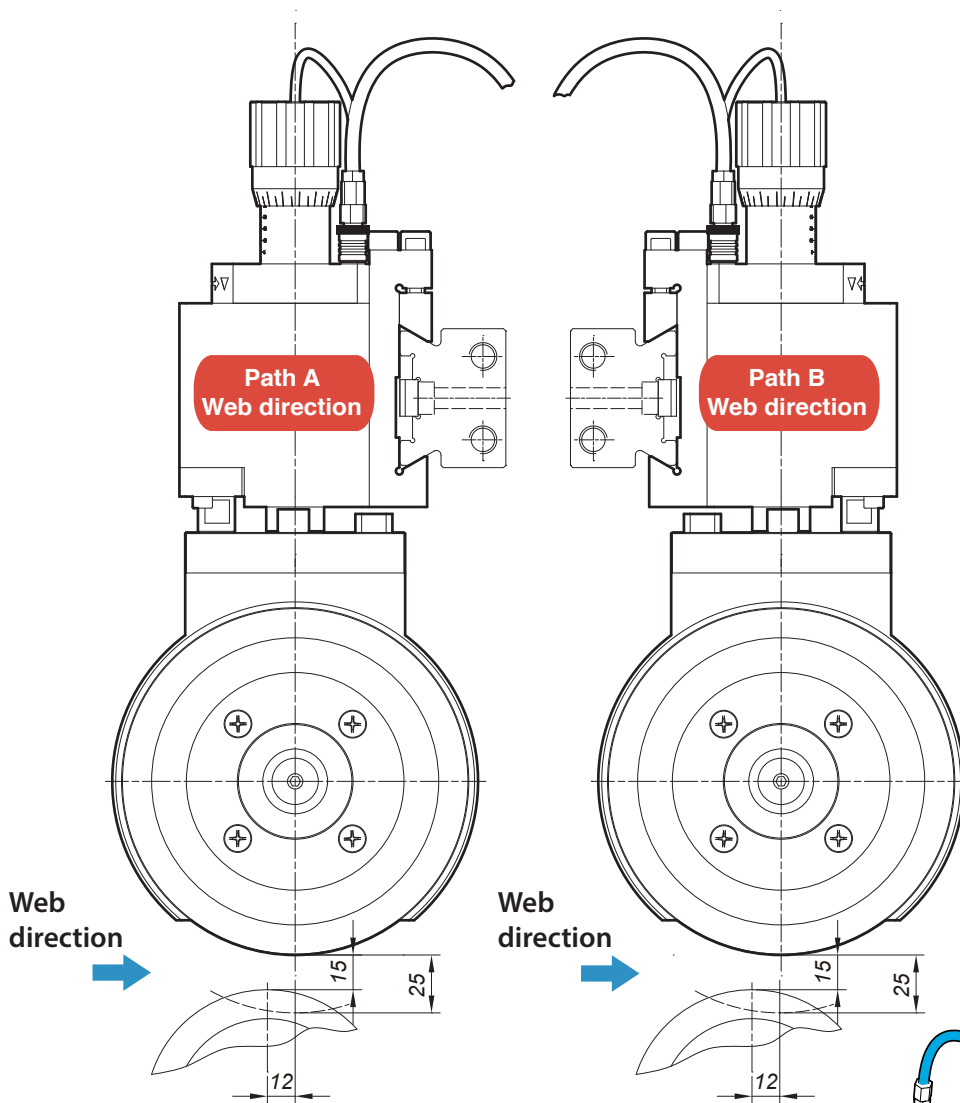
Blade dimension drawing



Bottom knife

BD-K-090-060-020-D05		
W=20mm	D=90mm	d=60mm
BD-K-105-080-030-D05		
W=30mm	D=105mm	d=80mm

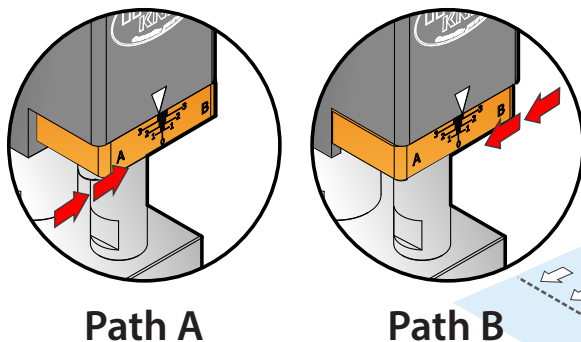
Different web path arrange



Different Web Path

Easily changeable cant angle can is for different web path direction application, in order to obtain better slitting effect corrcet cant angle setup is very important!!

Knife-holder direction arrange

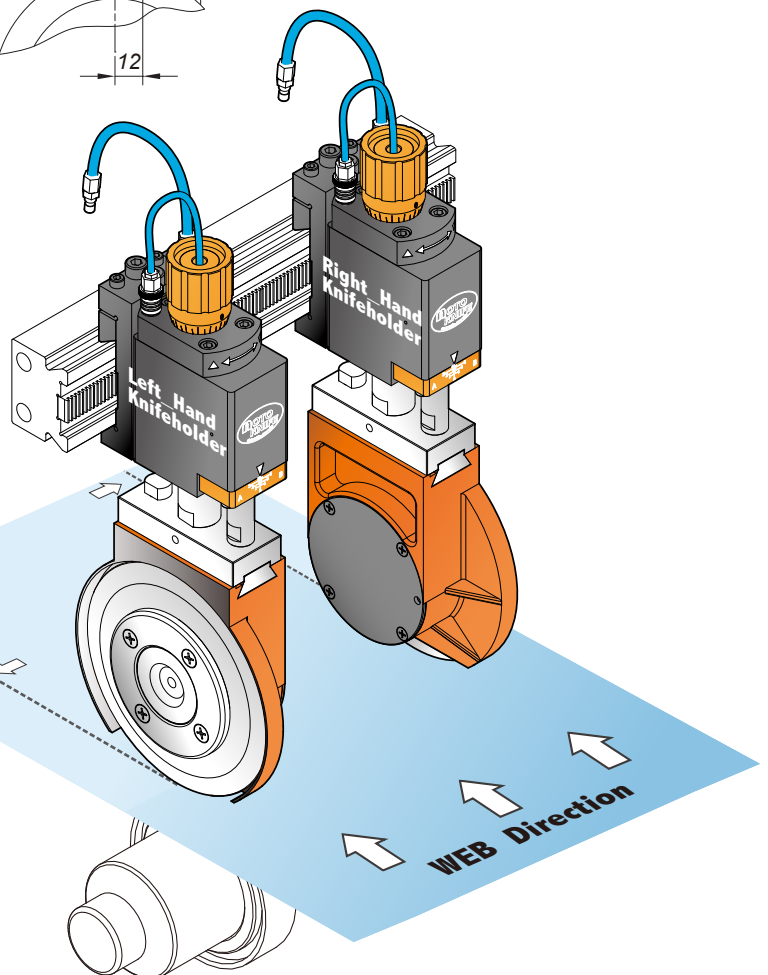


Path A

Path B

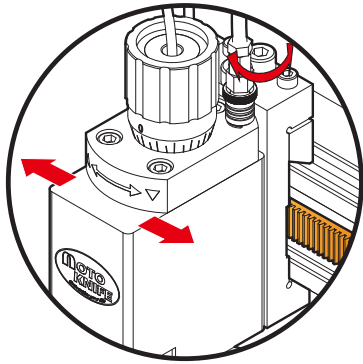
Cant angle adjust

For different web path application now is more easily to adjust. Unscrew angle plate and push bottom knifeholder for different web path direction and to get better efficiency result.



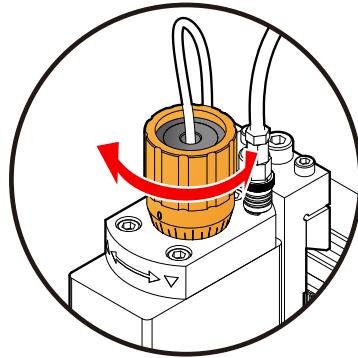
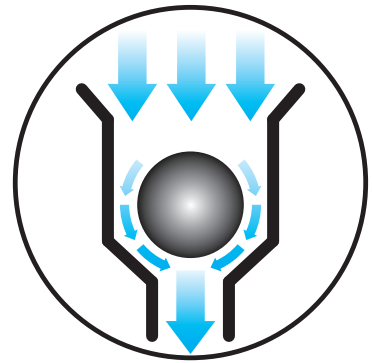
Saving setting time

Using gear and rack on guide-bar to adjust knifeholder position, make setting correct position easy and fast.



Internal air flow control

Patent design with internal air flow control, you can directly connect air source without air throttle valve and never worry too much air flow to damage blade!!

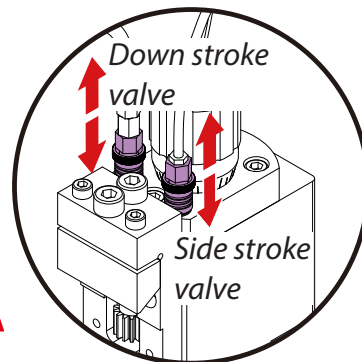
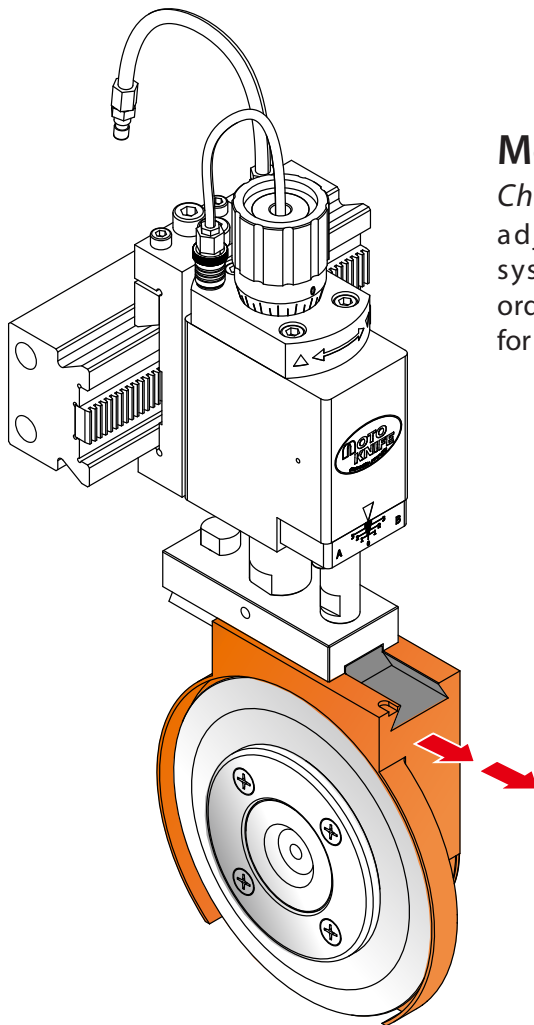
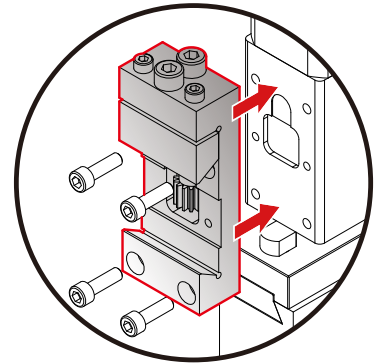


Precision depth adjust

Using depth adjust screw can easily control down stroke overlap distance between top and bottom blade, it is helpful for overlap compensation when blade wear.

Mounting bracket

Changeable mounting bracket adjustable flexible guidebar system. We can accept special order different mounting bracket for your existing system.



Individual valve control

More convenient for down stroke and side contact individual valve control, it can be operation under automatic action or separate when arrange position.

Slitting Products Available:

Various Papers	kraft paper, silicone paper, releasing paper, decoration wall paper, masking paper, adhesive paper, thick paper board, corrugated carton paper, sand paper.
Various Plastic films	flexible laminated films, soft & rigid PVC films, BOPP, PET, PE, PS, LDPE, PLA, SBS, various adhesive tape...etc.
Cloth & fabrics	non-woven cloth, synthetic leather, natural cotton, mesh cloth, medical cloth, label cloth...etc.
Metal films	copper foil, aluminum foil.

Reversible blade cartridge

Depending on different application, it can be reverse cartridge 180 degree to setting proper slitting position by user.

